

# RediX<sup>®</sup>

## Manufacturers & Exporters of :

- ▶ Water Extraction Pumps
- ▶ Vertical Multistage Centrifugal Pumps
- ▶ Chemical Dosing Pumps



## REDIX PUMPS LLP

E-mail : [redixpumps@gmail.com](mailto:redixpumps@gmail.com)

Web : [www.redixpumps.com](http://www.redixpumps.com)

M. +91 97279 50837, 96626 98698



## WATER EXTRACTION PUMPS

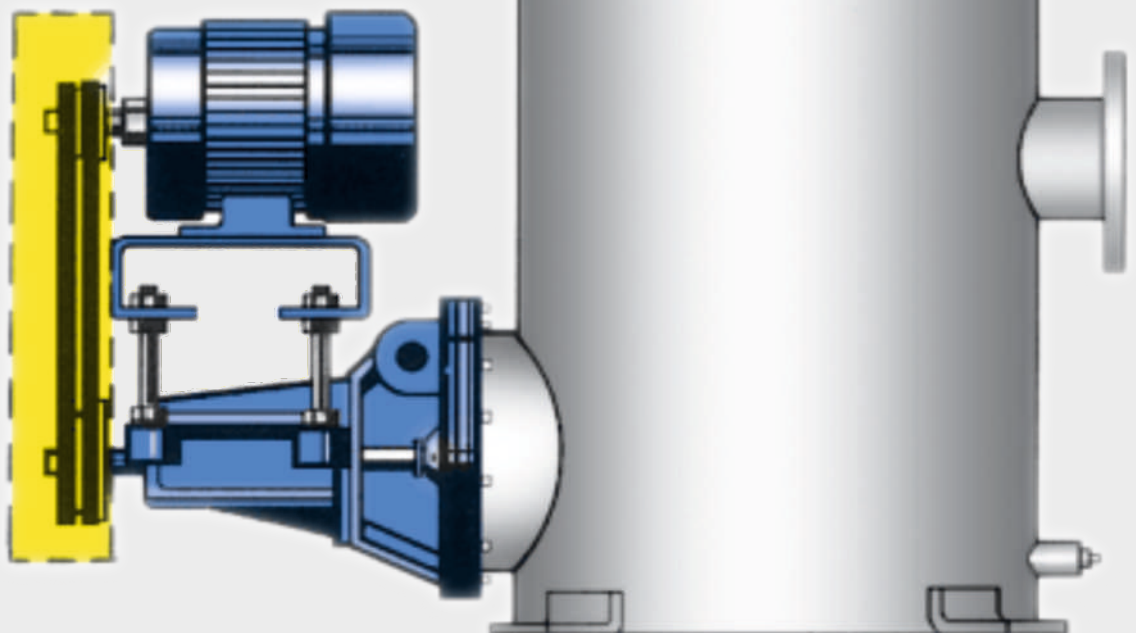
### RWS Series

**REDIX** has developed high efficiency self priming pumps for operating under vacuum condition. These pumps are tank mounted and have found applications in filtering process and paper machine vacuum system. Pumps are called as extraction pump, filtrate pumps or drain pumps depending upon the applications.

Models	Capacity	Rec. Motor
RWS 25	10-18 M3/Hr	3-5 HP
RWS 65	40-90 M3/Hr	5-10 HP
RWS 100	100-220 M3/Hr	10-20 HP

#### Salient Features

- Designed to operate under vacuum
- Tank Mounted-Save Floor Space
- Easy to maintain
- Available in various material of construction



## DOSING PUMPS

### FLOW RATE

Flow rate - 0 to 5000 LPH, Higher capacity can be achieved by multiplexing head.

### PRESSURE RANGE

Stainless steel head standard pressure up to 2 kg/cm<sup>2</sup> Special head up to 5kg/cm<sup>2</sup>.

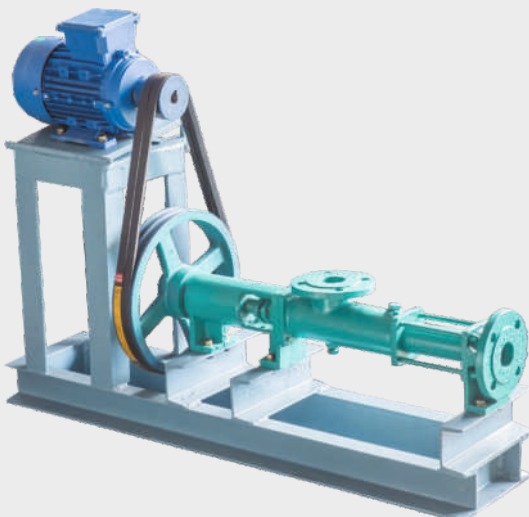
### FEATURES

Heavy duty construction designed for several industrial environment. High volumetric efficiency. High metering accuracy. Low investment cost. Internal worm reduction gear. Oil bath lubrication for long life. Micrometric stroke adjustment while pump running or stopped. It requires low NPSH. Steady state metering accuracy (+ - 1%) of pump output. Simple arrangement of pumps.



PUMP MODEL	FLOW IN LPH	PLUNGER DIA	SPM	STROCK	INLET / OUTLET SIZE	HP / RPM
RWM - 10	0 - 50	25 MM	147	15 MM	1/2" INCH BSP	0.5 HP / 1440 RPM
RWM - 15	0 - 100	35 MM	147	15 MM	1/2" INCH BSP	0.5 HP / 1440 RPM
RWM - 20	0 - 150	40 MM	147	15 MM	1/2", 3/4 INCH BSP	0.5 HP / 1440 RPM
RWM - 25	0 - 200	42 MM	147	20 MM	3/4 " INCH BSP	1 HP / 1440 RPM
RWM - 30	0 - 300	42 MM	147	33 MM	3/4 " INCH BSP	1 HP / 1440 RPM
RWM - 40	0 - 500	52 MM	147	33 MM	1 " INCH BSP	1.5 HP / 1440 RPM
RWM - 50	0 - 1000	72 MM	147	33 MM	1 " INCH BSP	1.5 HP / 1440 RPM
RWM - 60	0 - 1500	85 MM	147	33 MM	1 1/2 " INCH BSP	2 HP / 1440 RPM
RWM - 70	0 - 2000	85 MM	216	33 MM	1 1/2 " INCH BSP	3 HP / 1440 RPM
RWM - 80	0 - 3000	98 MM	216	33 MM	1 1/2 " INCH BSP	3 HP / 1440 RPM
RWM - 90	0 - 4000	98 MM	216	50 MM	2" INCH BSP	5 HP / 1440 RPM
RWM - 100	0 - 5000	105 MM	216	50 MM	2" INCH BSP	7.5 HP / 1440 RPM

## SCREW PUMPS



**REDIX** Xtra Value Progressive Cavity Pumps are designed to pump 'tough – to – handle' fluids with ease in varied industries. The construction of these pumps is based on the modular concept and comprises of next generation pumping elements I.E. Rotor, Stator, Solid Shaft and Double Sealed Cardan Universal Joints for improved performance and longer service life.

These pumps are available in bare shaft and close coupled configuration.

### RSP Series Screw Pumps

Size	RSP14	RSP34	RSP54	RSP74	RSP94	RSP15	RSP35	RSP55
<b>Capacity</b>								
m <sup>3</sup> /hr	0.11	0.3	0.6	1.6	3.5	6.5	9.5	17
GPM	0.4	1.3	2.6	7	15	29	42	75
<b>Pressure</b>								
Bar	24	48	24	24	24	12	12	6
PSI	348	696	348	348	348	174	174	87



## VERTICAL MULTISTAGE CENTRIFUGAL PUMPS



Vertical Multistage Centrifugal Pumps are vertical multistage centrifugal pumps. The vertical in-line design enables the pump to be installed in a horizontal plane single system where the suction and discharge connection are in the same horizontal plane and have the same pipe sizes. This design provides a more compact pump design saving space and easy pipework.

Pressure Range : 1 to 25 kg/cm<sup>2</sup>  
Capacity : 1 to 50 m<sup>3</sup>/hr  
Temp. : Max. 120° C

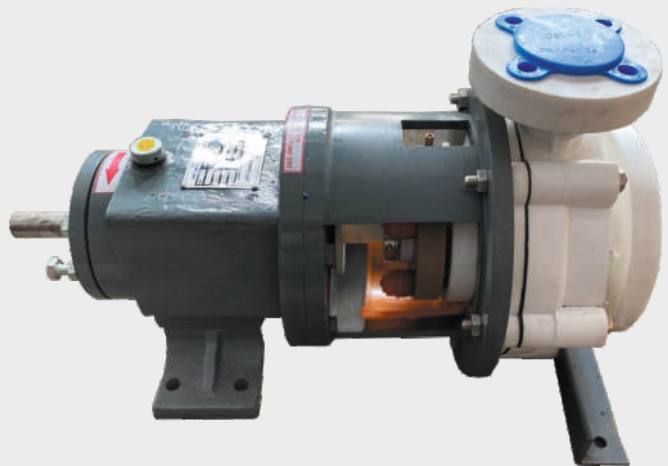
## CENTRIFUGAL PUMPS ( POLYPROPYLENE)

### THE FACTS

- ▶ Flow rates up to 100 m<sup>3</sup>/hr
- ▶ Heads up to 50 mtr.
- ▶ Temperature up to 100°C
- ▶ Specific Gravity up to 1.6 kg/m<sup>3</sup>
- ▶ Characteristic Curve 1500, 3000 rpm

### FIELDS OF APPLICATION

- ▶ Chemical Application
- ▶ Acidic Application
- ▶ ETP Plant
- ▶ Scrubber Application
- ▶ Corrosive Chemicals Application



## REDIX PUMPS LLP

### Manufacturers & Exporters of :

Centrifugal Pumps, Pulp Pumps, All type Pumps

Office & Work : Shed No. 24 , Ambica Industrial Estate, Nr. Vatva Railway Over Bridge, Vatva -382440 (Guj.) India.

Contact : +91 97279 50837, 96626 98698

Email : redixpumps@gmail.com • redixindustries@gmail.com • Web.: www.redixpumps.com • www.redixindia.com